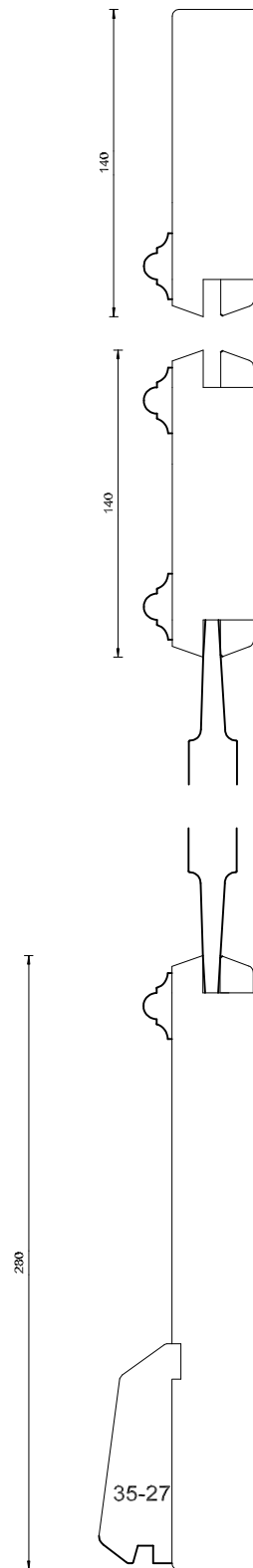
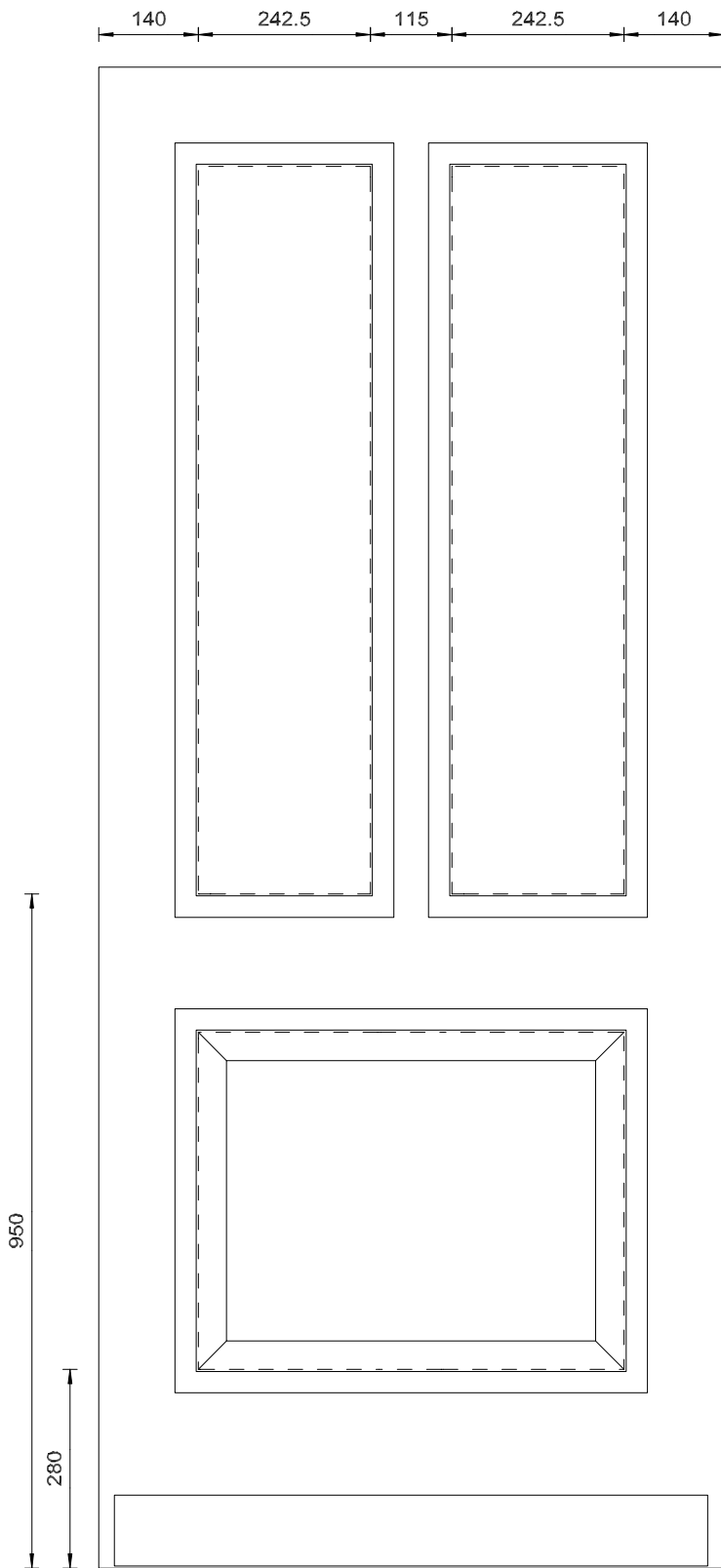


**BD810**  
**40MM dik**





**BD810**  
**56MM dik**

