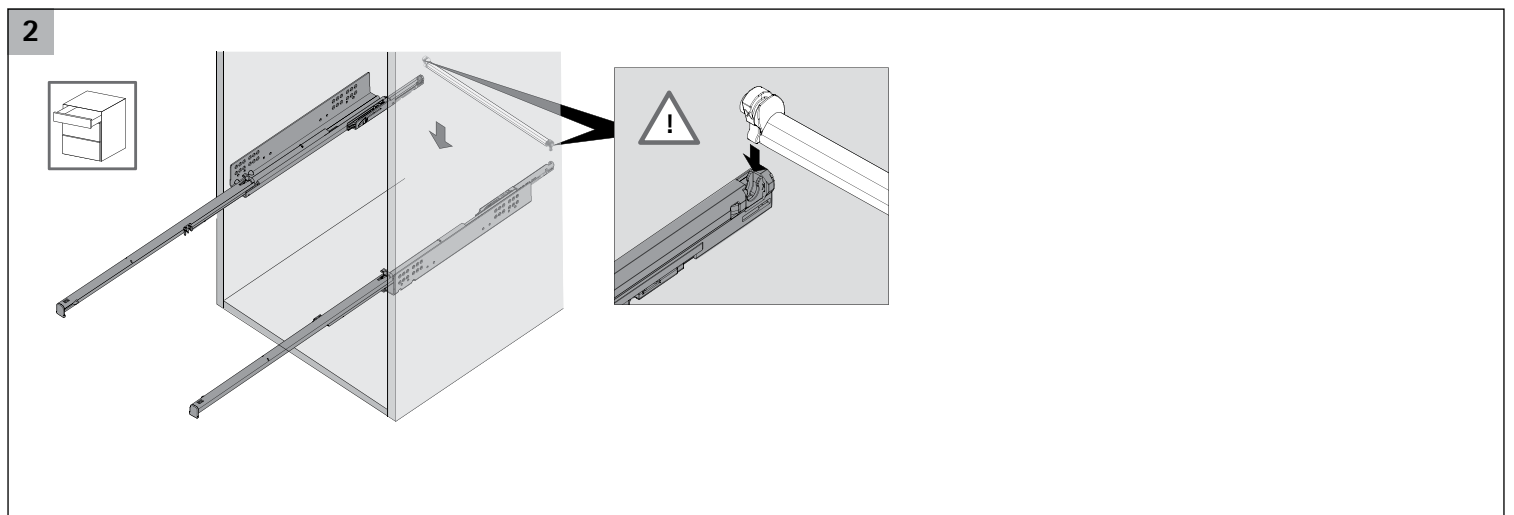
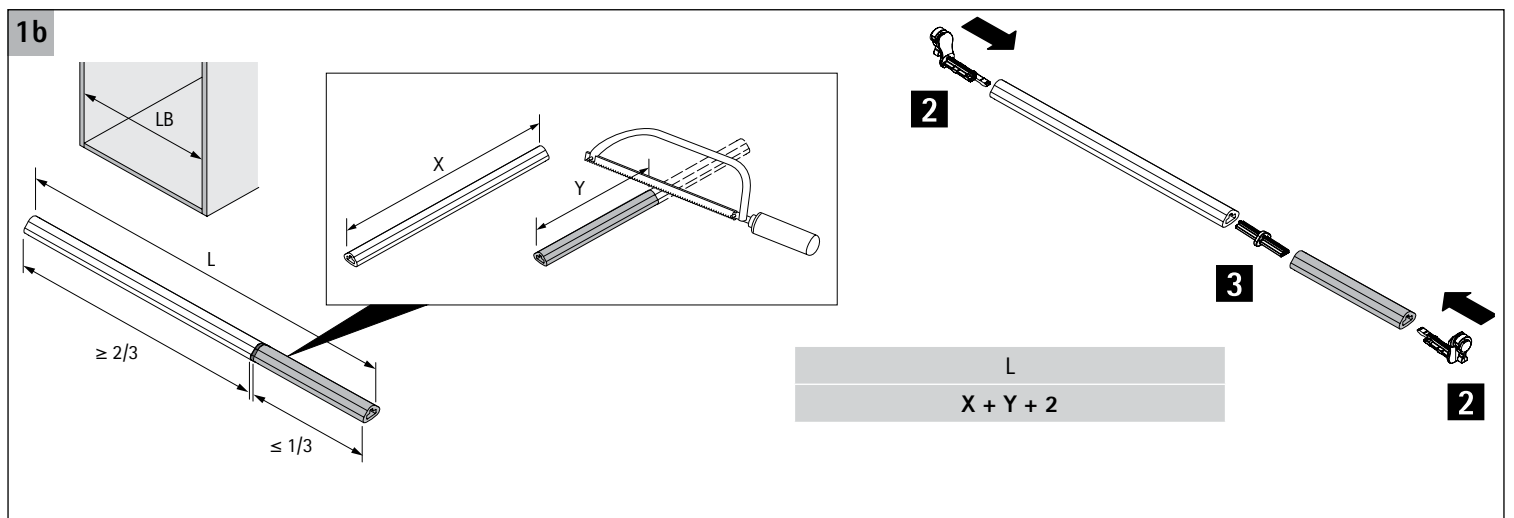
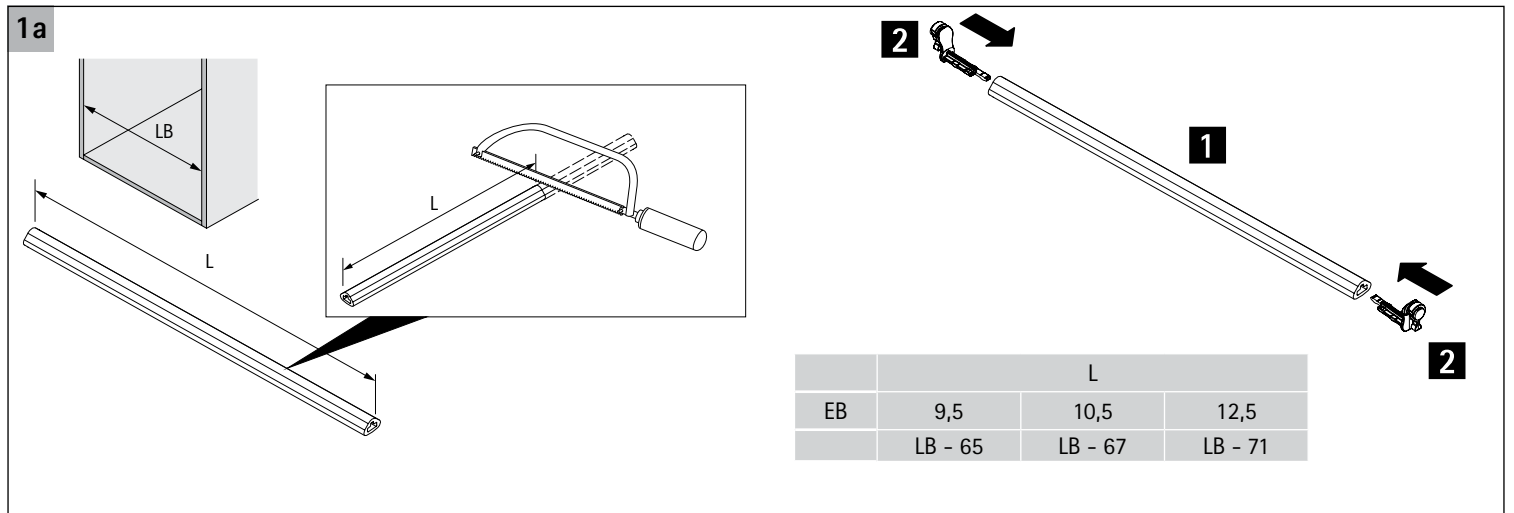
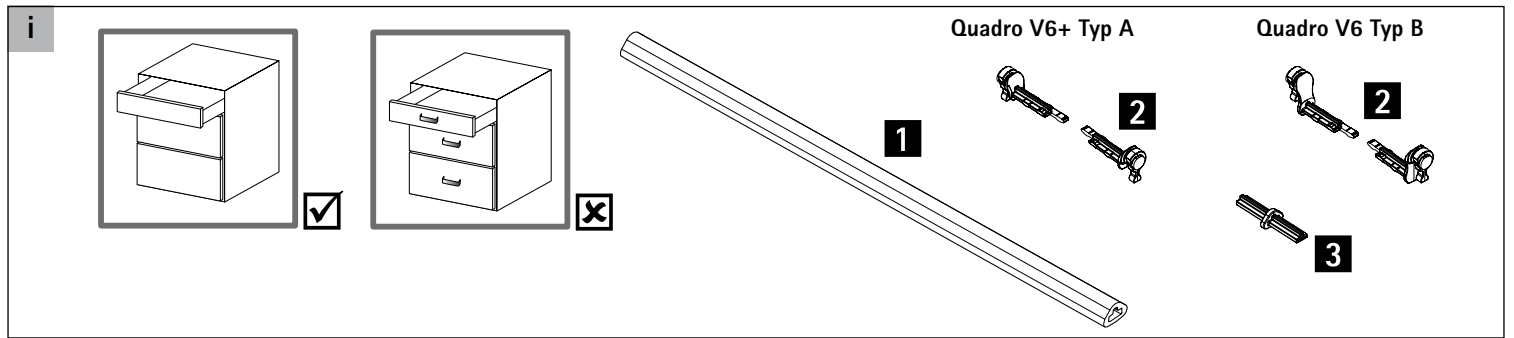
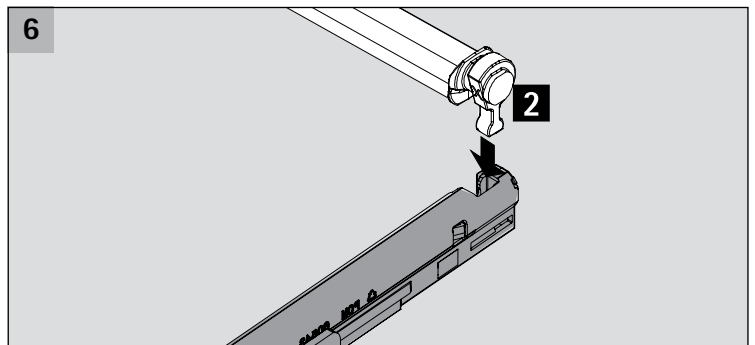
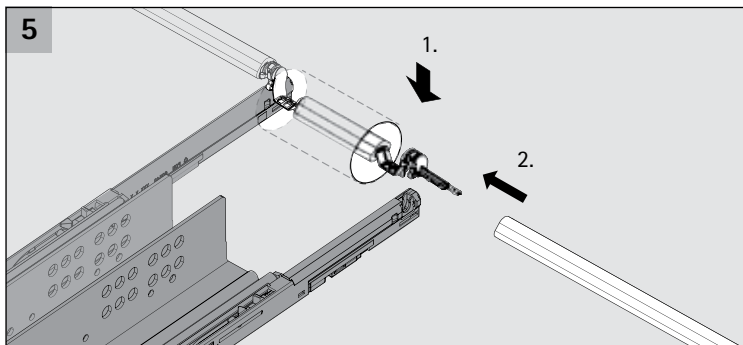
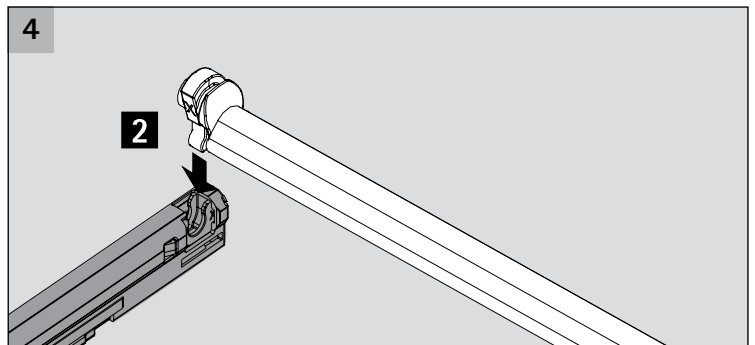
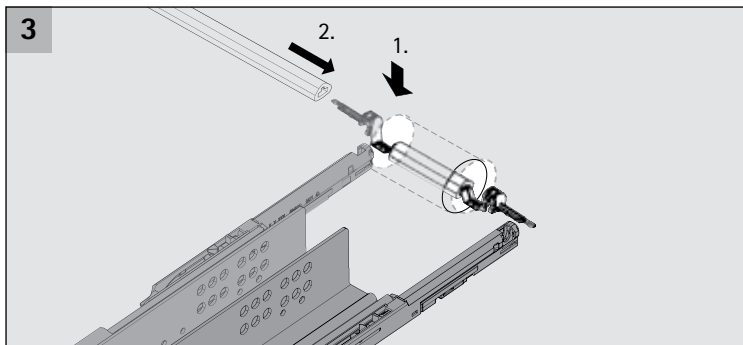
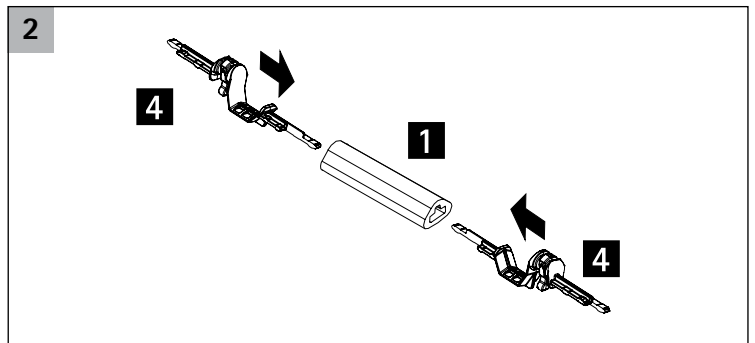
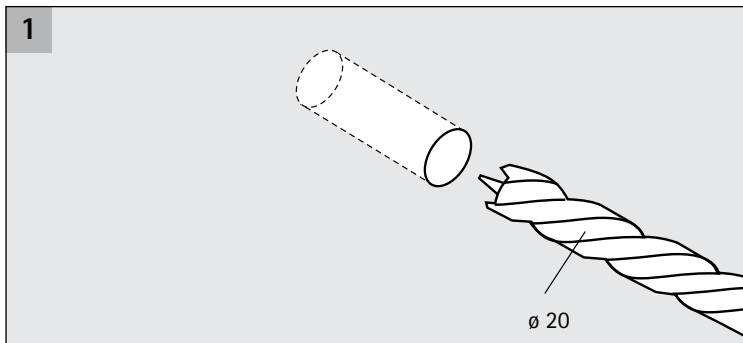
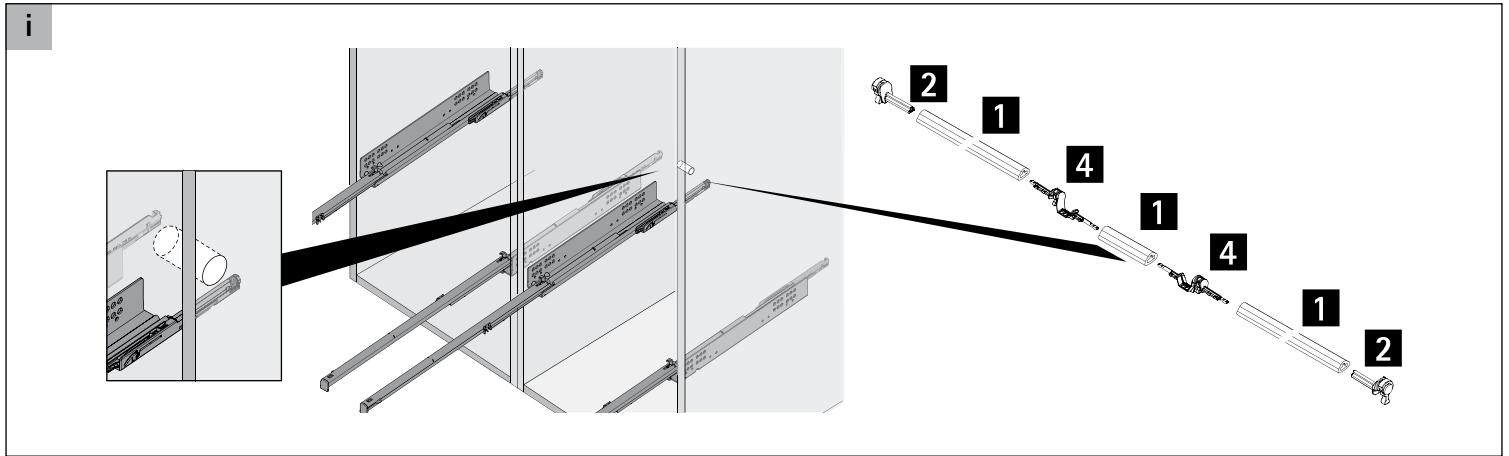
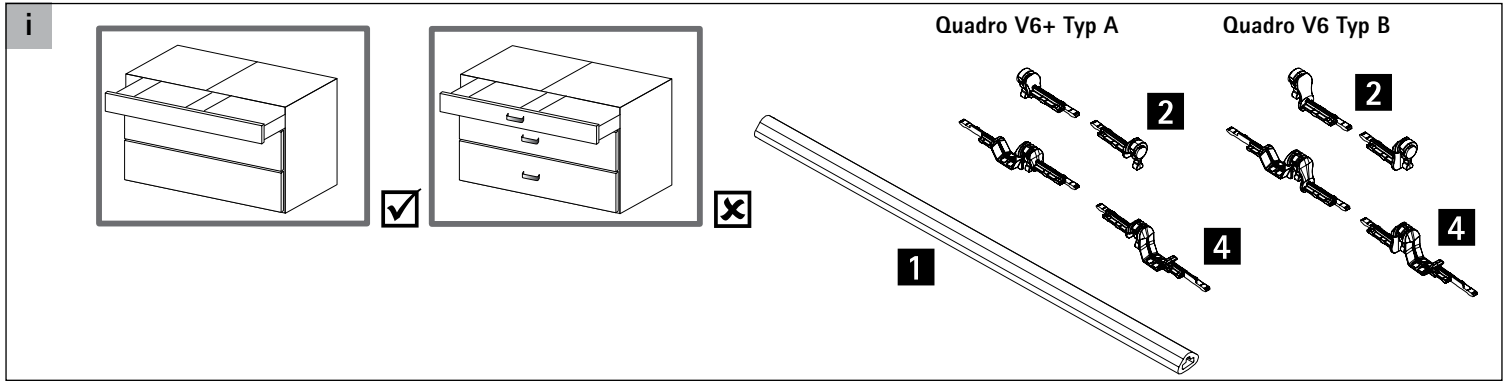


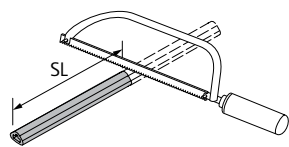
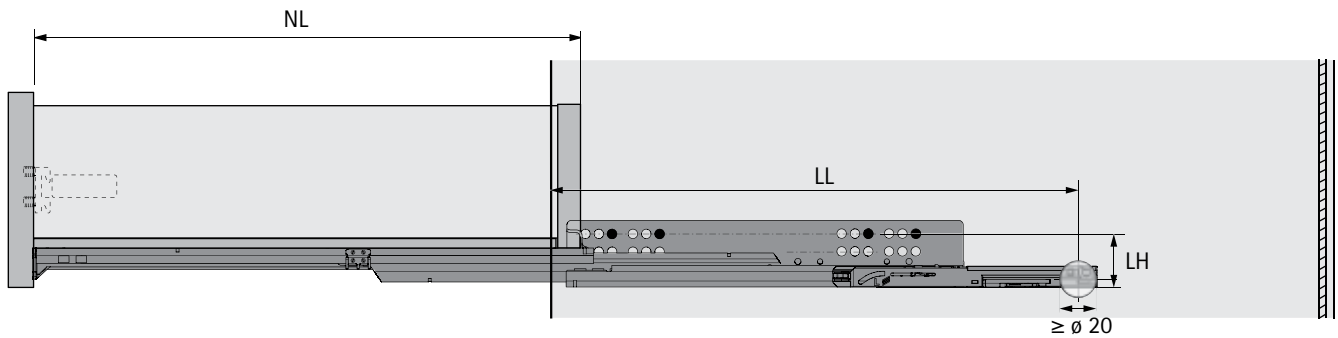
Quadro für InnoTech / InnoTech Atira

Push to open Synchronisation

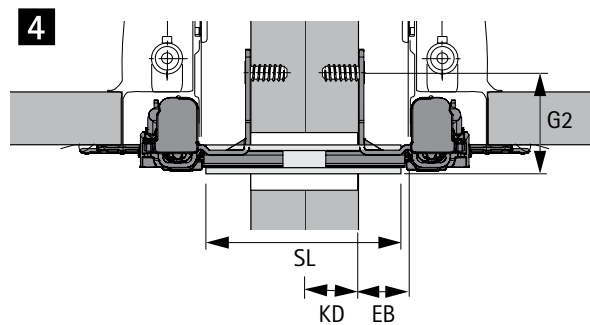
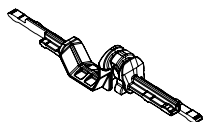
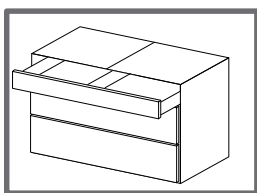
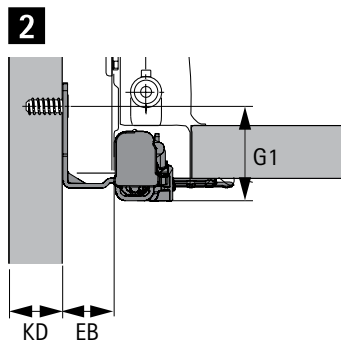
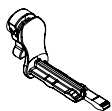
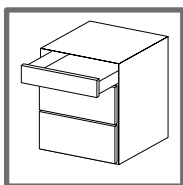




i



$$SL = 2 \times KD + 2 \times EB - 6$$



Quadro V6 Typ B						
NL mm	260	300	350	420	470	520
LL mm	294	299	347	407	437	479

Quadro V6+ Typ A						
NL mm	300	350	420	470	520	620
LL mm	298	346	382	418	472	550

	LH mm		2 G1 mm	4 G2 mm
Quadro V6	33	Quadro V6	43	43
Quadro V6+	38	Quadro V6+	42	46

Technik für Möbel

